

Date of Installation : \_\_\_\_\_

Unit Serial Number : \_\_\_\_\_

Kompac Dealer : \_\_\_\_\_

# Kompac®



A DIVISION OF DAY INTERNATIONAL, INC.



DAY INTERNATIONAL, INC.

Image Transfer Group

**Kompac**



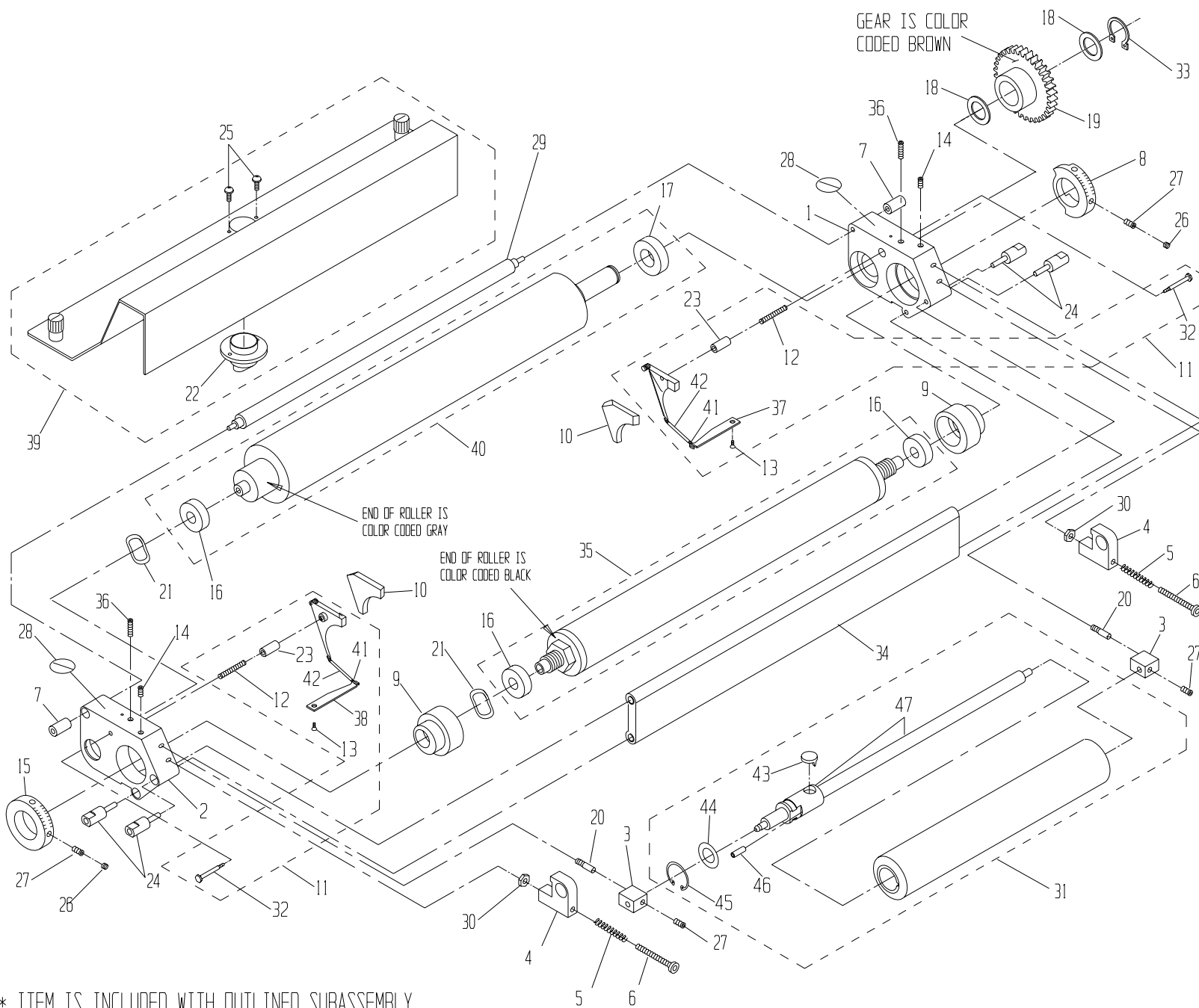
## **RYB 33**

Parts Catalog # 091652

159 DWIGHT PLACE , FAIRFIELD , NEW JERSEY 07004

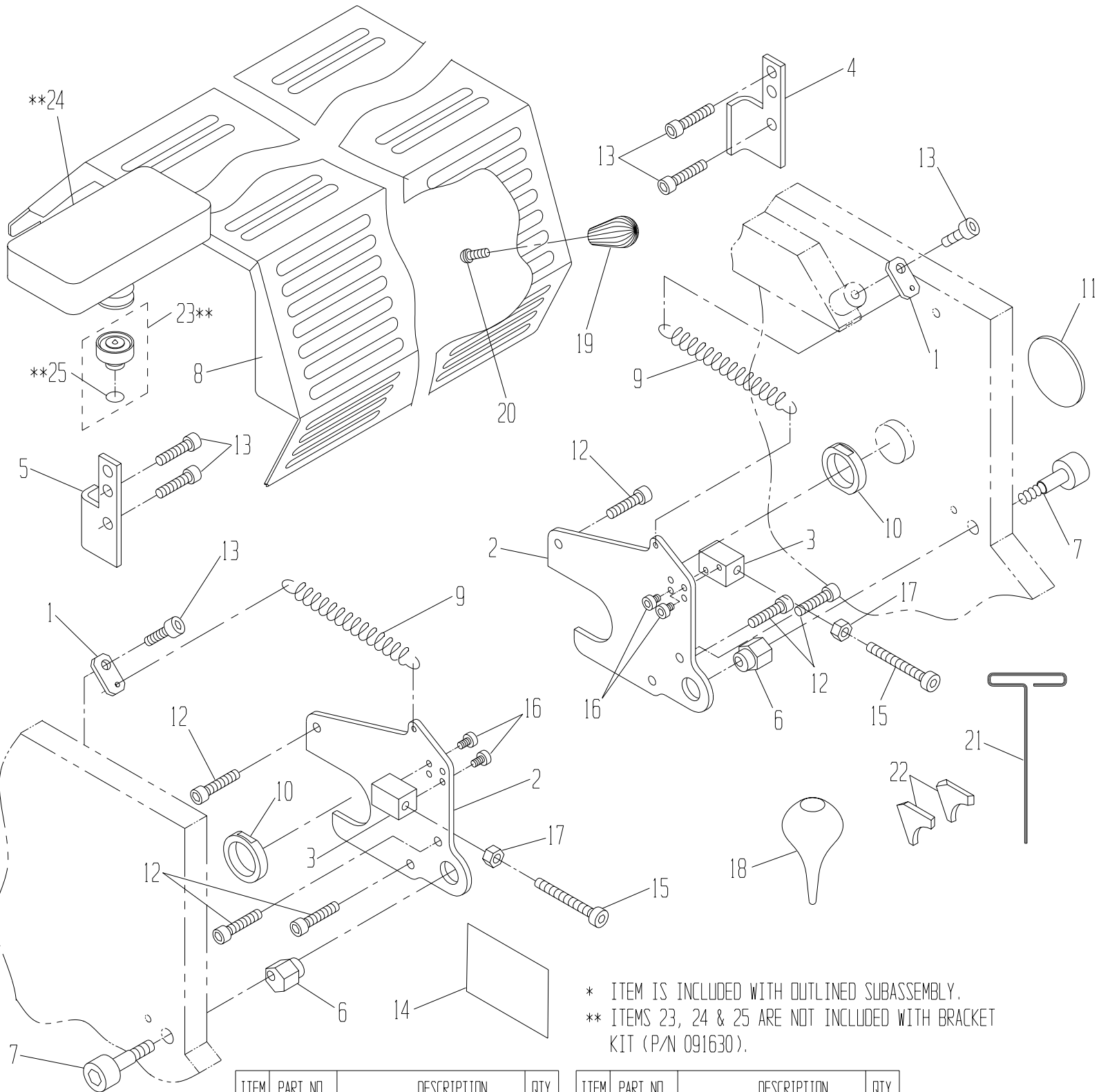
TEL: 973-227-8611 / 800-541-5702

FAX: 973-227-7532



\* ITEM IS INCLUDED WITH OUTLINED SUBASSEMBLY.

ITEM#	PART #	DESCRIPTION	QTY	ITEM#	PART #	DESCRIPTION	QTY	ITEM#	PART #	DESCRIPTION	QTY
1	094376	R.H. END FRAME	1	18	091966	STEEL WASHER	2	35	094240	METERING ROLLER ASSY	1
2	094302	L.H. END FRAME	1	19	092880	GEAR CLUTCH ASSY	1	36	091798	#10-24 x 1" SET SCREW	2
3	094326	ALIGNMENT BLOCK	2	20	094343	OSCILLATOR POST	2	37	090701	TAB (GEAR SIDE)	*
4	094342	SPRING HOUSING	2	21	092491	WAVE WASHER	2	38	092234	TAB (OP-SIDE)	*
5	094347	SPRING	2	22	092604	NOZZLE	*	39	092030	COVER ASSY	1
6	091877	1/4-28 X 1.1/2" SDC HD SCREW	2	23	092304	GUIDE PIN	*	40	091900	FORM ROLLER ASSY	1
7	094345	STAND OFF	2	24	094482	STAND OFF	4	41	092236	TAB SPRING	*
8	092225	METERING GAUGE	1	25	091806	#6-32 X 3/8 PHILLIPS PAN HD	*	42	092259	SPRING COVER	*
9	092291	ECCENTRIC	2	26	091810	#10-24 X 1/8 SLOT SET SCW	2	43	091111	OSC. DRIVE SHAFT FOLLOWER	*
10	092370	SEAL SET (L.H. & R.H. SEALS)	1	27	091811	#10-24 X 1/4" SET SCREW	4	44	091965	OSC. RETAINING WASHER	*
11	090700	SEAL BACKING PLATE KIT	1	28	092601	INWARD NIP SYMBOL	2	45	091997	OSC. RETAINING CLIP	*
12	092238	COMPRESSION SPRING	*	29	094348	13 1/4" TIE BAR	1	46	091949	SPRING PIN	*
13	091802	#3-48 X 1/4 FLAT HD SCREW	*	30	091970	1/4-28 NUT	2	47	091262	SHAFT ASSY S.S.	*
14	091813	#10-24 X 1/2 SET SCREW	2	31	091311	ASSY, 13 1/4" OSC., SHORT S.	1				
15	092222	METERING GAUGE	1	32	092303	SHOULDER SCREW	*				
16	092401	BEARING	*	33	091662	12mm RETAINING RING	1				
17	092586	BEARING	*	34	094481	TIE PLATE, RYB-330	1				



\* ITEM IS INCLUDED WITH OUTLINED SUBASSEMBLY.  
 \*\* ITEMS 23, 24 & 25 ARE NOT INCLUDED WITH BRACKET KIT (P/N 091630).

ITEM	PART NO.	DESCRIPTION	QTY.
1	091641	SPRING CLIP, LONG	2
2	091642	MOUNTING BRACKET	2
3	091643	STRIPE SET BLOCK	2
4	091644	STRIPE BRKT, L.H.	1
5	091645	STRIPE BRKT, R.H.	1
6	091646	ECCENTRIC	2
7	091722	SHOULDER SCREW	2
8	091648	SAFETY COVER	1
9	094389	SPRING	2
10	094394	FLANGE	2
11	094409	2" DIA. STICKER	1
12	091818	10-24 x 3/8" SOC. SCREW	6

ITEM	PART NO.	DESCRIPTION	QTY.
13	091761	M6 x 18mm SOC. HD. SCREW	6
14	094408	RECT. STICKER	1
15	091759	M4 x 40mm SOC. SCREW	2
16	091901	M3 x 6mm SOC. SCREW	4
17	091936	M4 HEX NUT, FULL	2
18	092778	1 OZ. SYRINGE	1
19	094228	KNOB	1
20	091840	10-32 PHILLIPS HD. SCREW	1
21	090755	3/32" HEX T-WRENCH	1
22	092370	SEAL SET	1
23	092780	L.P. DISPENSING VALVE ASS'Y	1
24	092777	LOW PROFILE BOTTLE	1
25	092765	O-RING	*