

Date of Installation : \_\_\_\_\_

Unit Serial Number : \_\_\_\_\_

Kompac Dealer : \_\_\_\_\_

# Kompac®



A DIVISION OF DAY INTERNATIONAL, INC.



DAY INTERNATIONAL, INC.

Image Transfer Group

**Kompac**



## **RYB 2728**

Parts Catalog # 090212

159 DWIGHT PLACE , FAIRFIELD , NEW JERSEY 07004

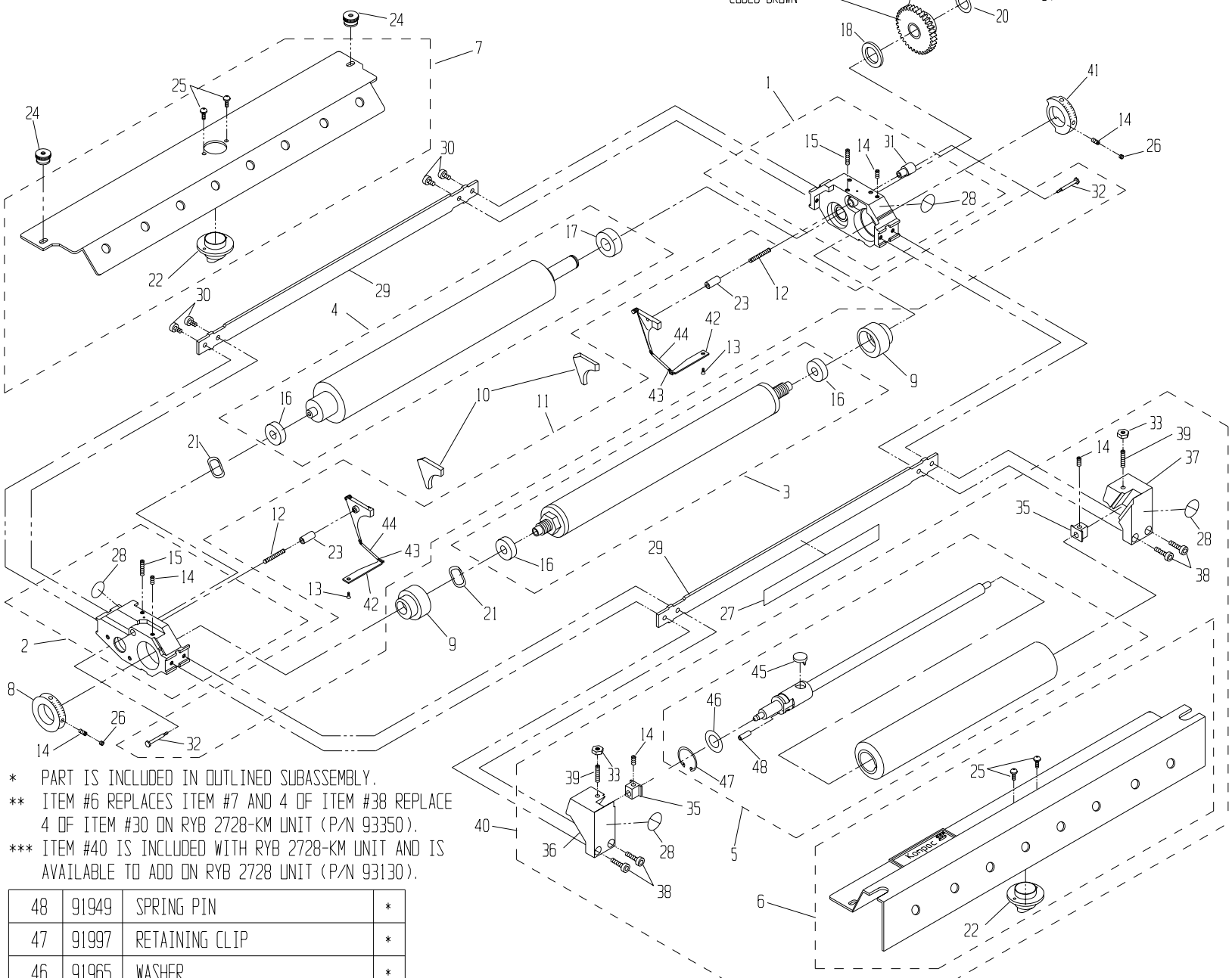
TEL: 973-227-8611 / 800-541-5702

FAX: 973-227-7532

RYB 2728 UNIT: P/N 93130

RYB 2728-KM UNIT: P/N 93350

GEAR IS COLOR  
CODED BROWN



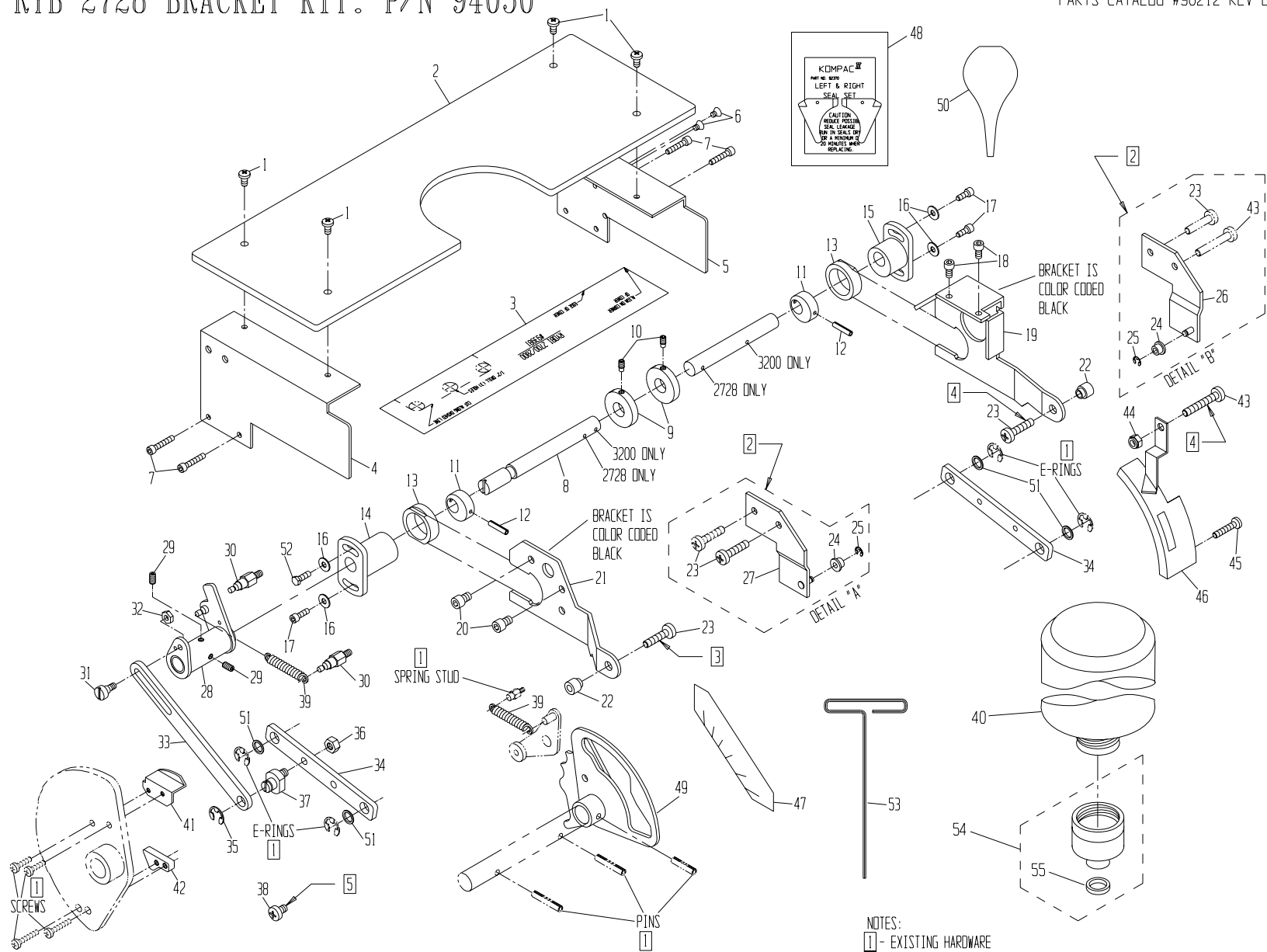
\* PART IS INCLUDED IN OUTLINED SUBASSEMBLY.  
 \*\* ITEM #6 REPLACES ITEM #7 AND 4 OF ITEM #38 REPLACE  
 4 OF ITEM #30 ON RYB 2728-KM UNIT (P/N 93350).  
 \*\*\* ITEM #40 IS INCLUDED WITH RYB 2728-KM UNIT AND IS  
 AVAILABLE TO ADD ON RYB 2728 UNIT (P/N 93130).

48	91949	SPRING PIN	*
47	91997	RETAINING CLIP	*
46	91965	WASHER	*
45	91111	DRIVE SHAFT FOLLOWER	*
44	92259	SPRING COVER	*
43	92236	BACKING PLATE TAB SPRING	*
42	92234	BACKING PLATE TAB	*
41	92225	R.H. METERING GAUGE	1
40	96530	KOLORMATE MODEL 30	***
39	91851	#10-32 X 1" SET SCREW	2
38	91829	#10-24 X 11/16 SOC HD SCREW	4**
37	91017	R.H. OSC. END BLOCK	1
36	91018	L.H. OSC. END BLOCK	1
35	91219	ALIGNMENT BLOCK	2
34	91662	RETAINING RING (12 MM)	1
33	91982	#10-32 NUT	2
32	92303	SHOULDER SCREW	*
31	92208	PLUG	*
ITEM#	PART #	DESCRIPTION	QTY

30	91818	#10-24 X 3/8 SOC HD SCREW	8**
29	92498	11 1/2" TIE BAR	2
28	92601	INWARD NIP SYMBOL	2*
27	92494	WARNING STICKER	1
26	91810	#10-24 X 1/8 SLOT SET SCW	2
25	91806	#6-32 X 3/8 PHILLIPS HD SCW	*
24	92691	COVER NUT	2
23	92304	GUIDE PIN	*
22	92604	NOZZLE	*
21	92491	WAVE WASHER	2
20	91966	WASHER	1
19	92870	GEAR CLUTCH ASSY, RYB 2728	1
18	93943	OUTSIDE THRUST WASHER	1
17	92586	BEARING	*
16	92401	BEARING	*
ITEM#	PART #	DESCRIPTION	QTY

15	91814	#10-24 X 3/4 STUD	*
14	91811	#10-24 X 1/4 SET SCREW	4*
13	91802	#3-48 X 1/4 FLAT HD SCREW	*
12	92238	COMPRESSION SPRING	*
11	92380	BACKING PLATE KIT (L & R)	1
10	92370	SEAL SET (L & R)	1
9	92291	ECCENTRIC	2
8	92222	METERING GAUGE	1
7	92640	11 1/2" COVER ASS'Y	**
6	91330	11 1/2" COVER ASSY (OSC)	**
5	91303	11 1/2" OSC. ROLL PARTS ASSY	1
4	92530	11 1/2" FORM ROLLER W/B	1
3	92520	11 1/2" METERING ROLL W/B	1
2	92210	L.H. END FRAME ASSY	1
1	92330	R.H. END FRAME ASSY	1
ITEM#	PART #	DESCRIPTION	QTY

# RYB 2728 BRACKET KIT: P/N 94050



- NOTES:
- 1 - EXISTING HARDWARE
  - 2 - FOR EARLY 2800's, USE THIS BRACKET (WHEN PIVOT HOLE IS NOT IN FRAME)
  - 3 - FOR EARLY 2800's, USE THIS SCREW AS SHOWN IN DETAIL "A"
  - 4 - FOR EARLY 2800's, USE THIS SCREW AS SHOWN IN DETAIL "B"
  - 5 - THIS SCREW REPLACES LONGER EXISTING SCREW ON OPERATOR SIDE INNER PANEL

ITEM	PART NO.	DESCRIPTION	QTY.
55.	92765	O-RING	1
54.	92760	DISPENSING VALVE ASSY	1
53.	90755	3/32 HEX T-WRENCH	1
52.	91832	10-32 x 1/2 HEX HEAD SCREW	1
51.	91956	.4 ID SPACER WASHER	4
50.	92778	KOMPAC SYRINGE	1
49.	93950	SINGLE LEVER CAM	1
48.	92370	TEFLON SEAL SET	1
47.	93986	OPERATION LABEL	1
46.	93982	GEAR GUARD ASSEMBLY	1
45.	91883	M5x.8x25mm PHIL ROUND HD SCREW	1
44.	91973	M6X1 LOCK NUT	1
43.	91882	M6x1x35mm PHIL ROUND HD SCREW	1
42.	93956	RYOBI CYLINDER LATCH	1
41.	93957	RYOBI MICRO SWITCH CAM	1

ITEM	PART NO.	DESCRIPTION	QTY.
40.	92771	CALIBRATED BOTTLE	1
39.	93669	EXTENSION SPRING	2
38.	91886	M6x10mm PHIL ROUND HD SCREW	1
37.	94066	RYOBI LINK BRACKET ECCENTRIC	1
36.	91971	1/4-28 LOCK NUT	1
35.	91995	3/8 E-RING	1
34.	93941	RYOBI FORM LINK	2
33.	94057	ACTUATING LINK	1
32.	91969	10-32 LOCK NUT	1
31.	91794	1/4x1/4 SHOULDER SCREW	1
30.	94053	STOP PIN	2
29.	91852	10-32x3/8 SET SCREW	2
28.	94060	STOP ASSEMBLY	1
27.	93979	L.H. PIVOT PLATE	1
26.	93978	R.H. PIVOT PLATE	1
25.	91992	3/16 E-RING	2
24.	93754	FLANGED BUSHING	2
23.	91881	M6x1x25mm PHIL ROUND HD SCREW	3
22.	93980	BRACKET BUSHING	2
21.	94051	RYB 2728 LH MOUNTING BRACKET	1

ITEM	PART NO.	DESCRIPTION	QTY.
20.	91875	1/4-20x3/8 CAP SCREW	2
19.	94052	RYB 2728 RH MOUNTING BRACKET	1
18.	91818	10-24x3/8 CAP SCREW	2
17.	91842	10-32x1/2 CAP SCREW	3
16.	91955	3/16 ID WASHER	4
15.	94058	ECCENTRIC BUSHING NON-DP SIDE	1
14.	94059	ECCENTRIC BUSHING DP SIDE	1
13.	94054	RYOBI BRACKET BUSHING	2
12.	94067	5/32x7/8 ROLL PIN	2
11.	94056	ECCENTRIC COLLAR	2
10.	91871	10-32x3/8 BRASS TIP SET SCREW	2
9.	94055	LOCKING COLLAR	2
8.	94064	2728/3200 OPERATION SHAFT	1
7.	91846	10-32x7/8 CAP SCREW	4
6.	91837	8-32x1/4 FLAT HEAD SCREW	2
5.	93974	R.H. SAFETY COVER BRACKET	1
4.	93975	L.H. SAFETY COVER BRACKET	1
3.	93981	COVER TEMPLATE	1
2.	93949	RYOBI SAFETY COVER	1
1.	91840	10-32x3/8 BUTTON HEAD SCREW	4

ITEM	PART NO.	DESCRIPTION	QTY.
------	----------	-------------	------