

Date of Installation : _____

Unit Serial Number : _____

Kompac Dealer : _____

Kompac®



A DIVISION OF DAY INTERNATIONAL, INC.



DAY INTERNATIONAL, INC.

Image Transfer Group

Kompac



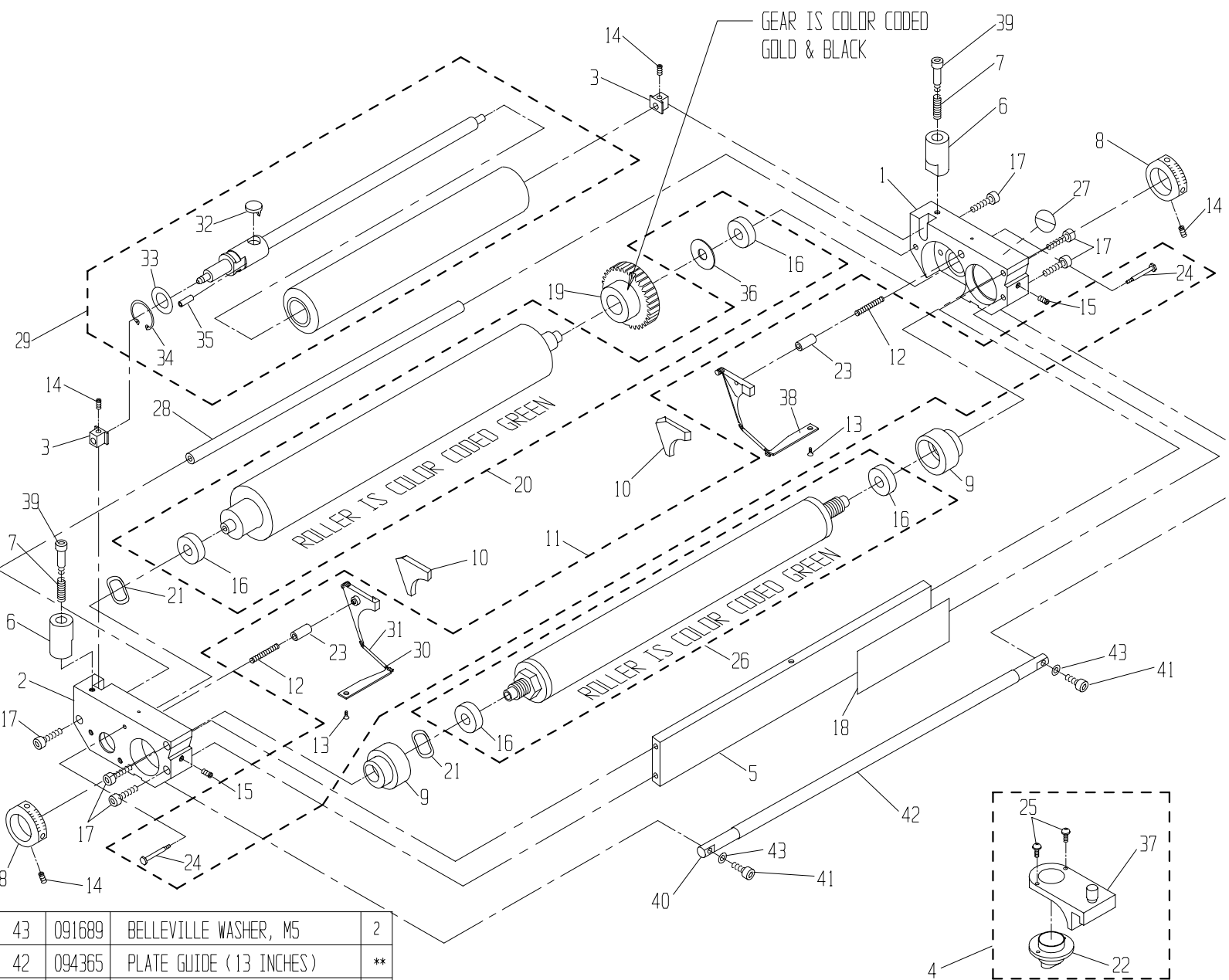
AB 9900

Parts Catalog # 094962

159 DWIGHT PLACE , FAIRFIELD , NEW JERSEY 07004

TEL: 973-227-8611 / 800-541-5702

FAX: 973-227-7532

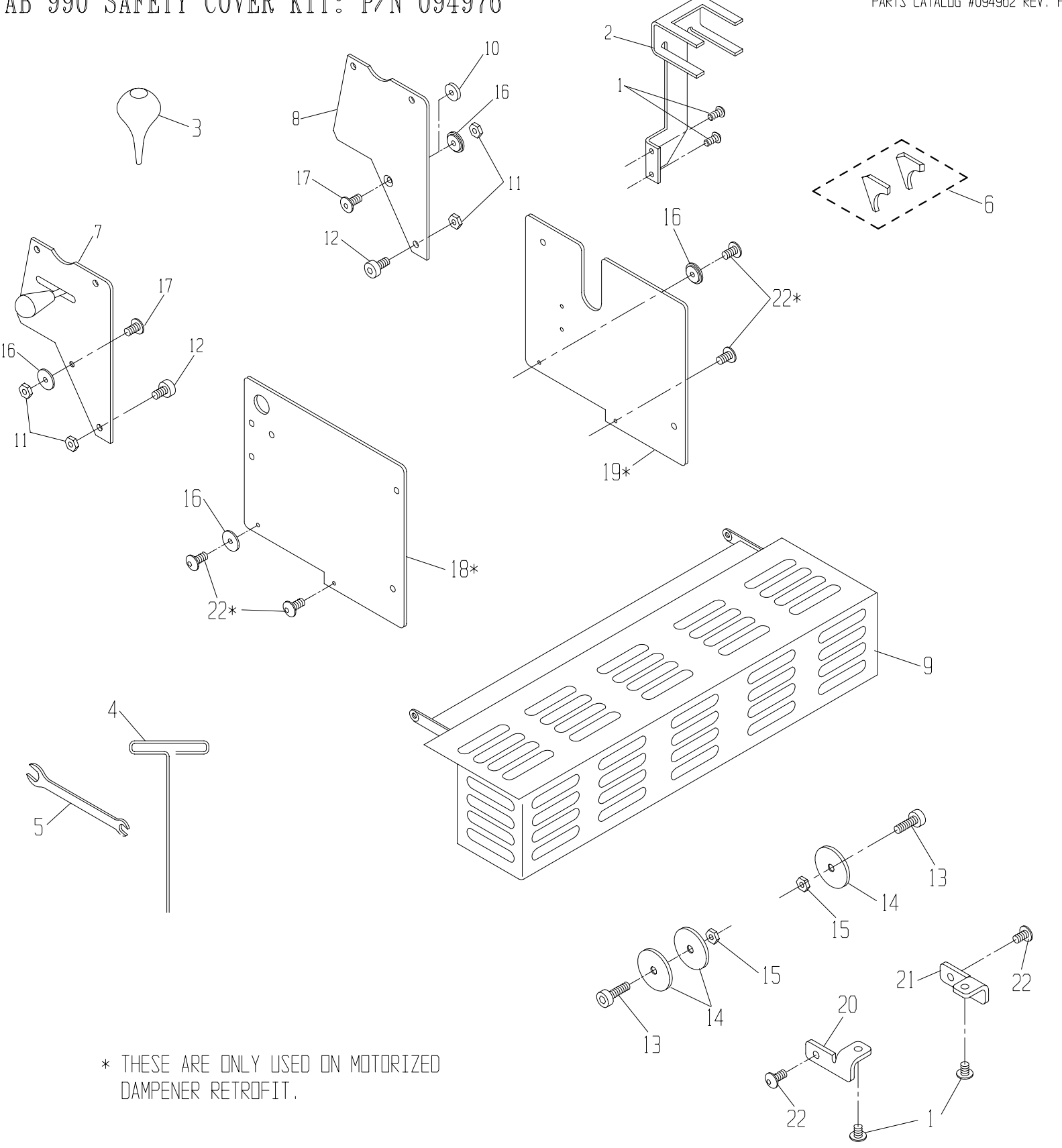


43	091689	BELLEVILLE WASHER, M5	2
42	094365	PLATE GUIDE (13 INCHES)	**
41	091915	SCREW, LOW HD. 10-24 x .50	2
40	094984	GUIDE BAR	1
39	091649	SHOULDER SCREW, 1/4 x 1-1/4	2
38	092234	TAB	*
37	094997	BRACKET, NOZZLE	*
36	092415	THRUST WASHER	*
35	091949	SPRING PIN	*
34	091997	OSC. RETAINING CLIP	*
33	091965	OSC. RETAINING WASHER	*
32	091117	OSC. DRIVE SHAFT FOLLOWER	*
31	092259	TAB SPRING COVER	*
30	092236	TAB SPRING	*
29	091319	OSCILLATOR, 13-1/4", HARD	1
28	094996	TIE BAR	1
27	092601	SAFETY STICKER	1
ITEM#	PART #	DESCRIPTION	QTY

* PART IS INCLUDED IN OUTLINED SUBASSEMBLY.
 ** ITEM #44 IS CUT TO 13" LENGTH

26	092460	13" METERING ROLLER W/B	1
25	091907	#6-32 X 3/8 PHILLIPS HD SCW	*
24	092303	SHOULDER SCREW, SEAL PLATE	*
23	092304	GUIDE PIN	*
22	092604	COVER NOZZLE	*
21	092491	WAVE WASHER	2
20	092470	13" FORM ROLLER W/B	1
19	092940	GEAR CLUTCH ASSY, AB 8580	1
18	094987	I.D. STICKER (AB 990)	1
17	091853	#10-32 x 1.12 SOC. HD. SCREW	6
16	092401	BEARING (6000)	*
15	091813	#10-24 X 1/2 SET SCREW	2
14	091811	#10-24 X 1/4 SET SCREW	4
ITEM#	PART #	DESCRIPTION	QTY

13	091802	#3-48 X 1/4 FLAT HD SCREW	*
12	092238	COMPRESSION SPRING	*
11	092290	BACKING PLATE KIT (L & R)	1
10	092370	SEAL SET (L & R)	1
9	092291	ECCENTRIC	2
8	094992	METERING GAUGE	2
7	092007	SPRING, COMPRESSION	2
6	094991	OSCILLATOR POST	2
5	094995	TIE PLATE	1
4	098750	BRACKET NOZZLE ASSEMBLY	1
3	091219	ROLLER ALIGNMENT BLOCK	2
2	094994	END FRAME, L.H.	1
1	094993	END FRAME, R.H.	1
ITEM#	PART #	DESCRIPTION	QTY



* THESE ARE ONLY USED ON MOTORIZED DAMPENERS RETROFIT.

22	091816	10-24 x 3/8 BUTTON HD CAP SCW	6	18	094978	R.H. BRACKET SUPPORT	1	9	094973	GUARD, AB 990	1
21	094977	L.H. GUARD SUPPORT	1	17	091855	#10-32 x 5/8 FLAT HEAD SCREW	2	8	093602	L.H. GUARD SUPPORT BKT	1
20	094972	R.H. GUARD SUPPORT	1	16	094136	SPACER	2	7	093609	ASSY, LOCKOUT	1
19	094988	L.H. BRACKET SUPPORT	1	15	091932	1/4-20 NUT	2	6	092370	KOMPAC SEAL SET	1
ITEM	PART NO.	DESCRIPTION	QTY.	14	091951	WASHER, FLAT	3	5	093555	KOMPAC WRENCH	2
				13	091859	1/4-20 x 3/4 BUT HD CAP SCREW	2	4	090755	3/32 T-WRENCH	1
				12	091842	#10-32 x 5/8 SOCKET HD CAP SCW	2	3	092778	KOMPAC SYRINGE	1
				11	091969	#10-32 LOCK NUT	4	2	094999	BRACKET, BOTTLE (AB 990)	1
				10	091952	SPACER	1	1	091817	#10-24 x 1/4 BUTTON HD CAP SCW	4
ITEM	PART NO.	DESCRIPTION	QTY.					ITEM	PART NO.	DESCRIPTION	QTY.